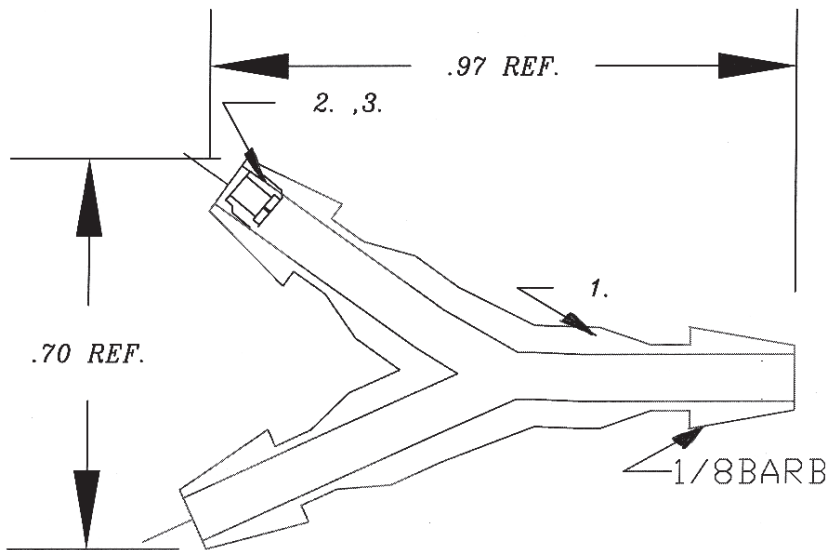


RB# 82737



1. NYLON FITTING TEE FOR $1/8$ " ID TUBE
2. BRASS ORIFICE INSERT
3. SELECT RUBY ORIFICE SIZE
TOL. $+.0002/-0.0000$ "
4. PLEASE NOTE THAT THE ORIFICE CAN BE PLACED
IN ANY OF THE BRANCHES, PLEASE SPECIFY
FILTERS CAN ALSO BE PLACED IN ANY OF THE THREE BRANCHES IF NEEDED



**BIRD
PRECISION**

Phone • 1 • (800) • 454 • 7369
Fax • 1 • (800) • 370 • 6308
e-mail • sales@birdprecision.com